

BUTLER

Assembly Instructions
Style Number 5700

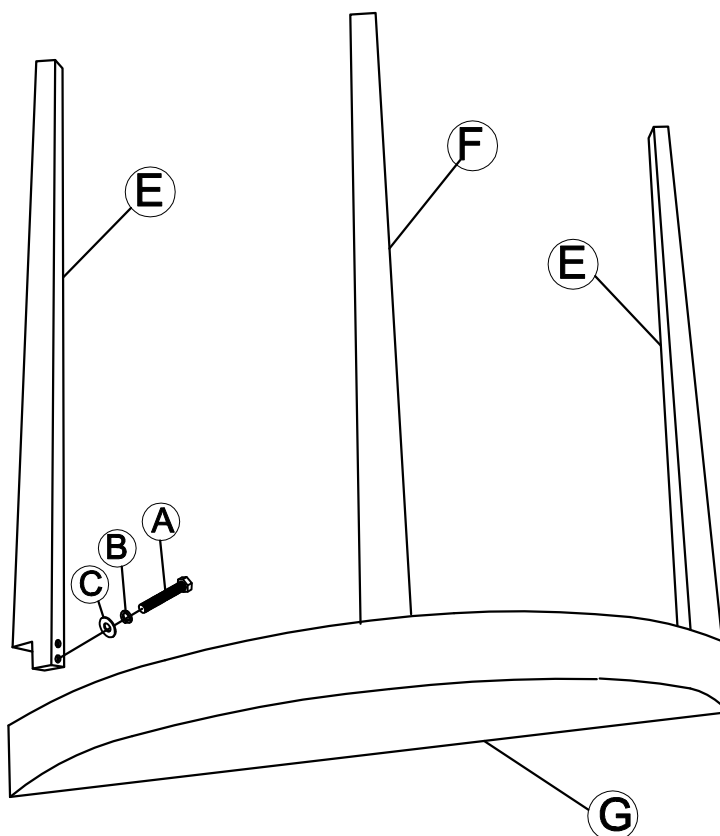
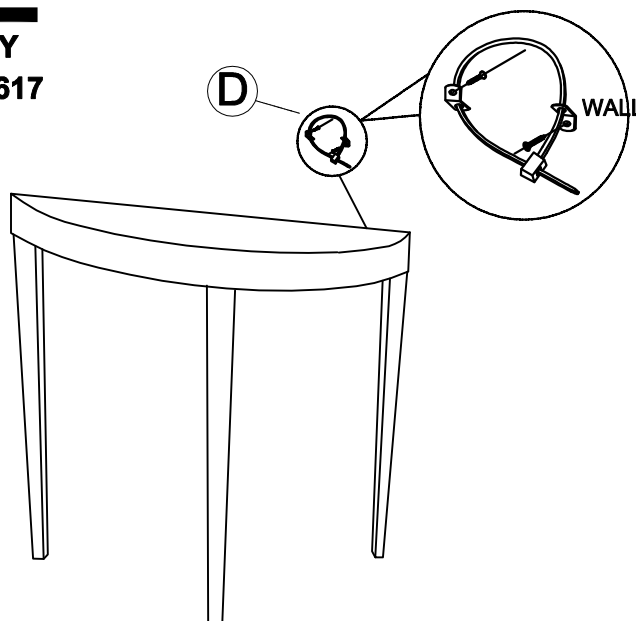
SPECIALTY COMPANY

8200 SOUTH CHICAGO AVE., CHICAGO, IL 60617

PACKAGED

- (A) 6- Bolt $\varnothing 1/4 \times 1-3/4" L$
- (B) 6- Lock Washer $\varnothing 1/4"$
- (C) 6- Flat Washer $\varnothing 1/4"$
- (D) 1set- Anti-tipping kit.

- (E) 2- Back Legs
- (F) 1- Front Leg
- (G) 1- Top



(*Caution:DO NOT OVERTIGHTEN

In any correspondence regarding this product, please include the complete Butler identification number located on the underside of the product.

We hope this console table will be a useful and decorative addition to your home for years to come.

COPYRIGHT BUTLER SPECIALTY COMPANY, 07/2022